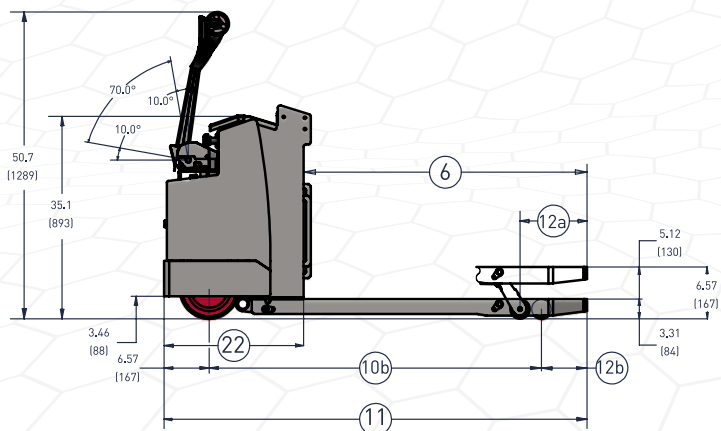
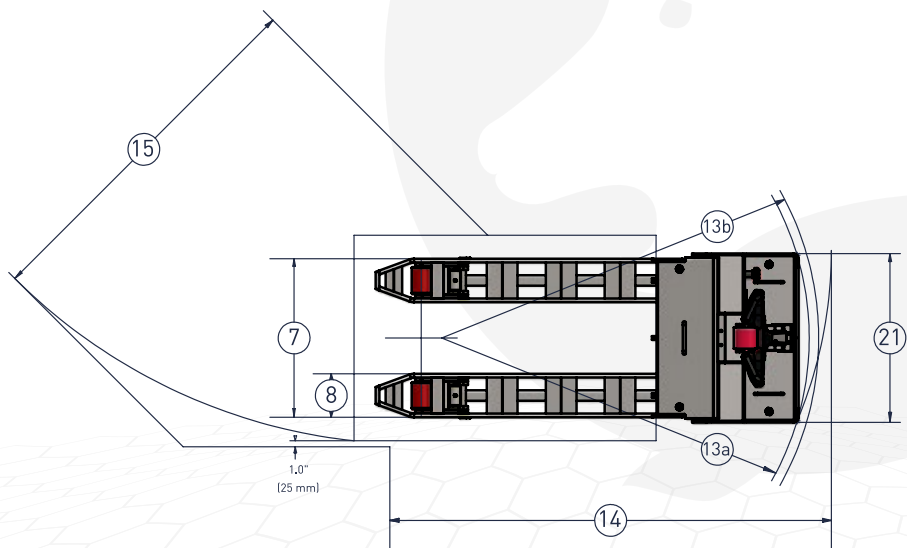


Dimensions PALLET TRUCK MERITENS MT-5



General

Dimensions

6" Lithium-Ion Battery Specifications

1	Manufacturer		Meritens
2	Model		MT-5
3	Energy Type		24 Volt
4	Operator Type		Pedestrian
5	Rated Capacity	lb (kg)	4500 (2041)
6a	Fork Length – Nominal	in (mm)	48 (1219)
6b	Fork Length – Actual	in (mm)	46 (1169)
10a	Wheelbase – Raised	in (mm)	50.6 (1284)
10b	Wheelbase – Lowered	in (mm)	53.7 (1363)
11	Overall Length	in (mm)	66.3 (1683)
13a	Turning Radius (Bumper) – Raised	in (mm)	58.4 (1483)
	Turning Radius (Bumper) – Lowered	in (mm)	61.5 (1561)
15	Approach Angle – Raised	in (mm)	68.3 (1734)
16	Aisle Width – Raised	in (mm)	54.8 (1393)
22	Chassis Length	in (mm)	20.2 (514)
23	Battery Compartment – Standard with Rollers	in (mm)	26.5 x 6.0 x OPEN (672 x 153 x OPEN)